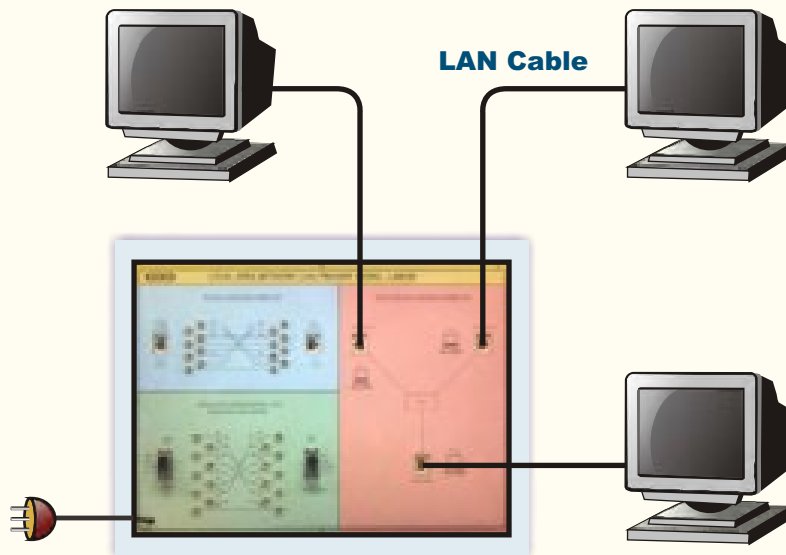




LOCAL AREA NETWORK (LAN) TRAINER

MODEL - LAN100G

This trainer provides training of hardware and software theory of Local Area Networking of Computers with experiments. This trainer is based on syllabus of MCSE - (Microsoft Certified Software Engineer)



SPECIFICATIONS

LAN Hardware

- | | | |
|-------------------------------|---|--------------------------------|
| 1. 10 Mbps Ethernet Card | : | 3 Nos. |
| 2. Coaxial Cables | : | 1 Mtrs x 2 Nos . |
| 3. T- Connector | : | 3 Nos |
| 4. UTP Cables with connectors | : | 5 Mtrs x1 Nos + 3 Mtrs x2 Nos. |
| 5. 10/100 Mbps 8 Port Hub | : | 1 No. (On Board) |

EXPERIMENTS

1. To install & test various network connector, cables
2. To install network file server
3. To install network print server
4. To demonstrate the use of Internet
5. To Study of router, repeater & bridge
6. To install web browser
7. To set up new connection or network
8. To create home group and set/change sharing options

In keeping view of SIGMA policy of continuous development and improvement, the Specifications may be changed without prior notice or obligation.

Sigma Trainers and Kits
E-113, Jai Ambe Nagar,
Near Udgam School,
Thaltej,
AHMEDABAD - 380054.
INDIA.

Phone(O): +91-79-26852427/ 26850829
Phone(F): +91-79-26767512/ 26767648
Fax : +91-79-26840290/ 26840290
Mobile : +91-9824001168
Email : sales@sigmatrainers.com
: sigmatrainers@sify.com
Web : www.sigmatrainers.com

Dealer:-

EXPERIMENTS

1006

1. To install & test various network connector, cables
2. To install network file server
3. To install network print server
4. To demonstrate the use of Internet
5. To Study of router, repeater & bridge
6. To install web browser
7. To set up new connection or network
8. To create home group and set/change sharing options